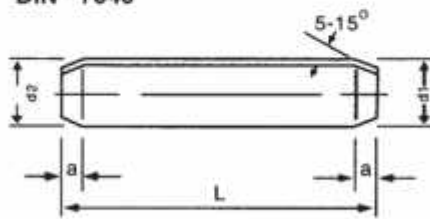


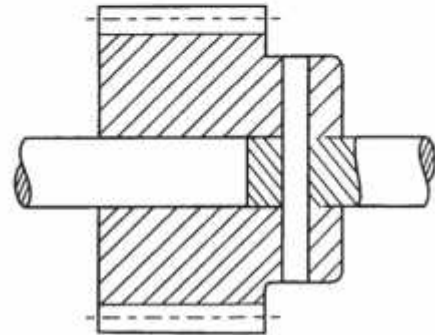
# SPIRAL DOWEL PINS

DIN 7343  
DIN 7344  
IS : 8351

## DIN - 7343



LIGHT PATTERN  
DIMENSIONS IN MM



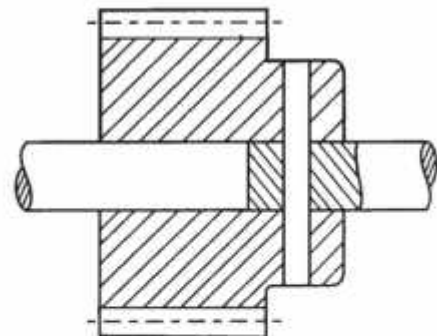
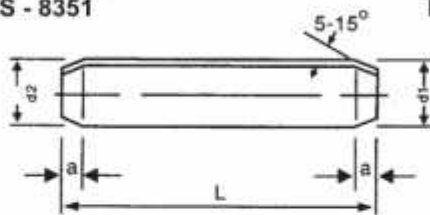
To order, indicate Dia of the Hole x Length  
e.g. SPIRAL DOWEL for nom. Dia of Hole  
4mm x Length 28mm.

Order as SPIRAL DOWEL 4mm x 28mm Din - 7343

| NOMINAL DIA | 0.8  | 1                 | 1.2  | 1.5  | 2    | 2.5  | 3                  | 3.5  | 4    | 5    | 6    | 8                   | 10    | 12   | 14    | 16    |
|-------------|------|-------------------|------|------|------|------|--------------------|------|------|------|------|---------------------|-------|------|-------|-------|
| a ≈         | 0.2  | 0.3               | 0.4  | 0.5  | 0.7  | 0.8  | 1                  | 1.2  | 1.3  | 1.7  | 2    | 3                   | 3     | 4    | 4.5   | 5     |
| s           | 0.07 | 0.08              | 0.1  | 0.13 | 1.17 | 0.21 | 0.25               | 0.29 | 0.33 | 0.42 | 0.5  | 0.67                | 0.84  | 1    | 1.2   | 1.3   |
| d1          | 0.85 | 1.1               | 1.3  | 1.62 | 2.15 | 2.65 | 3.15               | 3.67 | 4.2  | 5.25 | 6.25 | 8.35                | 10.45 | 12.5 | 14.55 | 16.55 |
| Tol.(+)     | 0.05 | 0.05              | 0.1  | 0.1  | 0.1  | 0.15 | 0.15               | 0.17 | 0.2  | 0.25 | 0.25 | 0.25                | 0.35  | 0.35 | 0.4   | 0.45  |
| d2          | 0.75 | 0.95              | 1.15 | 1.4  | 1.9  | 2.35 | 2.85               | 3.35 | 3.8  | 4.8  | 5.8  | 7.75                | 9.6   | 11.5 | 13.5  | 15.4  |
| Tol.        | L    | 4 To 10 MM = +0.5 |      |      |      |      | 12 To 50 MM = +1.0 |      |      |      |      | 52 To 100 MM = +1.5 |       |      |       |       |

## DIN - 7344 IS - 8351

HEAVY PATTERN  
DIMENSIONS IN MM



To order, indicate Dia of the Hole x Length  
e.g. SPIRAL DOWEL for nom. Dia of HDI-E  
4mm x Length 28mm.

Order as SPIRAL DOWEL 4mm x 28mm Din - 7344 / IS 8351 LIGHT

| NOMINAL DIA | 1.5         | 2                 | 2.5        | 3           | 4                  | 5           | 6                   |  |
|-------------|-------------|-------------------|------------|-------------|--------------------|-------------|---------------------|--|
| a ≈         | 0.5         | 0.7               | 0.8        | 1           | 1.3                | 1.7         | 2                   |  |
| s           | 0.17        | 0.22              | 0.28       | 0.33        | 0.45               | 0.56        | 0.67                |  |
| d1          | 1.6         | 2.1               | 2.6        | 3.12        | 4.15               | 5.15        | 6.25                |  |
| Tol         | +0.08<br>-0 | +0.1<br>-0        | +0.1<br>-0 | +0.13<br>-0 | +0.15<br>-0        | +0.15<br>-0 | +0.15<br>-0         |  |
| d2          | 1.4         | 1.9               | 2.35       | 2.85        | 3.8                | 4.8         | 5.8                 |  |
| Tol.        | L           | 4 To 10 MM = +0.5 |            |             | 12 To 50 MM = +1.0 |             | 52 To 100 MM = +1.5 |  |